

TITAN IMPLEMENT



1915

Flex-Wing Rotary Cutter

PARTS PRICE LIST - October 2019

Phone: 423-405-5150 FAX: 423-405-5904

WEB: www.titanimplement.com

**1915 Series Rotary Cutter
PART PRICING**

NOTE: All pricing subject to change

ITEM No.	Description	NET 30 Pricing	NOTES
110004	SPLITTER G/BOX BOLT KIT 5/8" X 2"	\$ 5.00	Replaces 110015
110012	BLADE BOLT KIT	\$ 19.44	
110015	REPLACED BY 110004	\$ -	Replaced by 110004
110017	CENTER SKID SHOE BOLT KIT 1/2" X 2" (4 PACK)	\$ 5.00	Replaces 110069
110021	ZERK FITTING	\$ 1.00	
110023	WHEEL BOLT KIT 5/16" X 3/4"	\$ 2.54	
110034	DOCUMENT HOLDER W/SCREWS	\$ 7.56	
110069	REPLACED BY 110017	\$ -	Replaced by 110017
110070	CONNECTOR ROD BOLT KIT 1/2" X 2-1/2"	\$ 5.00	
120011	SKID SHOE BOLT KIT 1/2" X 1-1/2" (6 PACK)	\$ 6.48	
150034	SWIVEL HEAD BOLT KIT 3/4" X 2-1/2"	\$ 4.00	
150047	SPINDLE/TUBE BOLT KIT 3/4" X 6-1/2"	\$ 4.00	
180022	TAILWHEEL TUBE BOLT KIT 1" X 3-1/2"	\$ 5.00	
180037	TAILWHEEL SPINDLE TUBE	\$ 145.50	
180038	TAILWHEEL SPINDLE ASSY	\$ 70.20	
180039	SPINDLE BOLT KIT 1/2" X 3-1/2"	\$ 2.60	
180040	LAMINATED TAILWHEEL 6" X 9"	\$ 108.00	
191209	HYD. HOSE SUPPORT SPRING	\$ 18.00	
191236	HYD. HOSE 60"	\$ 31.00	
191237	HYD. HOSE 168"	\$ 93.00	
191238	HYDRAULIC TEE	\$ 9.00	
191501	GEARBOX - SPLITTER (540-RPM ONLY)	\$ 498.75	
191502	GEARBOX - SPLITTER (1000-RPM ONLY)	\$ 498.75	
191503	SPLITTER G/BOX SHIELD	\$ 194.40	
191504	SPLITTER G/BOX SHIELD FRAME	\$ 89.25	
191505	SPLITTER G/BOX SHIELD PIVOT ROD 1/2" X 13"	\$ 6.48	
191506	SPLITTER CROSS SHAFT	\$ 282.00	
191508	GEARBOX - CENTER DECK (540-RPM ONLY)	\$ 495.00	
191509	GEARBOX - CENTER DECK (1000-RPM ONLY)	\$ 495.00	
191510	GEARBOX - LH WING (540/1000-RPM)	\$ 495.00	
191511	SPLITTER SHIELD FRAME MEMBER	\$ 23.76	
191512	GEARBOX - RH WING (540/1000-RPM)	\$ 495.00	
191513	JACK	\$ 63.50	
191514	OUTBOARD G/BOX BOLT KIT 3/4" X 3"	\$ 11.00	
191515	OUTBOARD G/BOX SHIELD	\$ 97.20	
191517	BLADE CARRIER - CENTER	\$ 425.00	
191518	BLADE CARRIER - WING	\$ 375.00	
191520	HITCH FRAME	\$ 324.00	
191521	HITCH TO FRAME BOLT KIT 1-1/4" X 8-1/2"	\$ 9.72	
191522	TONGUE SLEEVE	\$ 12.96	
191524	RECEIVER SWIVEL	\$ 110.00	
191525	SWIVEL HEAD	\$ 226.80	
191526	SAFETY CHAIN	\$ 38.88	
191527	SPRING ASSEMBLY	\$ 79.92	
191528	HYDRAULIC LIFT CYLINDER 3.5" X 8"	\$ 197.00	

**1915 Series Rotary Cutter
PART PRICING**

191529	LIFT CYL. PIN 3-1/2"	\$	10.00
191530	LIFT CYL. PIN CLIP	\$	1.00
191531	CYL. TRANSPORT LOCK BRACKET	\$	9.00
191532	LEVELING ROD	\$	150.00
191533	LEVELING ROD PIN 1" X 5-1/2" KIT	\$	150.00
191534	RATCHET JACK PIN W/CLIPS	\$	10.00
191535	CENTER SKID SHOE	\$	96.00
191536	CENTER WING CONNECTOR ROD 1-1/4" X 93-5/8"	\$	150.00
191537	WING STOP ADJUSTER BOLT KIT 3/4" X 2"	\$	4.00
191538	HYDRAULIC WING CYLINDER	\$	184.00
191539	WING CYL. PIN 1" X 5"	\$	7.00
191540	WING CYL. COTTER PIN	\$	1.00
191544	LH WING SKID SHOE	\$	27.00
191545	RH WING SKID SHOE	\$	27.00
191546	CENTER TAILWHEEL TUBE	\$	411.00
191547	WHEEL HUB	\$	34.00
191548	CENTER TAILWHEEL DUAL HUB SHAFT	\$	190.00
191549	LEFT TAILWHEEL TUBE	\$	205.00
191550	RIGHT TAILWHEEL TUBE	\$	205.00
191551	TAILWHEEL TUBE ADJUSTER	\$	105.00
191552	TAILWHEEL TUBE ADJUSTER BOLT KIT 1" X 4-1/2"	\$	4.00
191553	AIRPLANE TIRE (OPTIONAL)	\$	270.00
191560	CENTER CV PTO SHAFT (540-RPM ONLY)	\$	650.00
191561	WING PTO SHAFT -LH/RH	\$	325.00
191563	CENTER CV PTO SHAFT (1000-RPM ONLY)	\$	650.00
191570	15FT-BLUE CENTER DECK ONLY W/DECALS	\$	3,850.00
191571	15FT-GREEN CENTER DECK ONLY W/DECALS	\$	3,850.00
191572	15FT-GREY CENTER DECK ONLY W/DECALS	\$	3,850.00
191573	15FT-ORANGE CENTER DECK ONLY W/DECALS	\$	3,850.00
191574	15FT-RED CENTER DECK ONLY W/DECALS	\$	3,850.00
191575	15FT-YELLOW CENTER DECK ONLY W/DECALS	\$	3,850.00
191576	15FT-BLUE LH WING DECK ONLY W/DECALS	\$	3,850.00
191577	15FT-GREEN LH WING DECK ONLY W/DECALS	\$	3,850.00
191578	15FT-GREY LH WING DECK ONLY W/DECALS	\$	3,850.00
191579	15FT-ORANGE LH WING DECK ONLY W/DECALS	\$	3,850.00
191580	15FT-RED LH WING DECK ONLY W/DECALS	\$	3,850.00
191581	15FT-YELLOW LH WING DECK ONLY W/DECALS	\$	3,850.00
191582	15FT-BLUE RH WING DECK ONLY W/DECALS	\$	3,850.00
191583	15FT-GREEN RH WING DECK ONLY W/DECALS	\$	3,850.00
191584	15FT-GREY RH WING DECK ONLY W/DECALS	\$	3,850.00
191585	15FT-ORANGE RH WING DECK ONLY W/DECALS	\$	3,850.00
191586	15FT-RED RH WING DECK ONLY W/DECALS	\$	3,850.00
191587	15FT-YELLOW RH WING DECK ONLY W/DECALS	\$	3,850.00
191590	FLOW RESTRICTOR	\$	8.00
310032	OUTBOARD G/BOX SHIELD LYNCH PIN	\$	1.08
310034	CYL. TRANSPORT LOCK PIN	\$	2.16
410002	WING CYL. WASHER 1"	\$	1.08

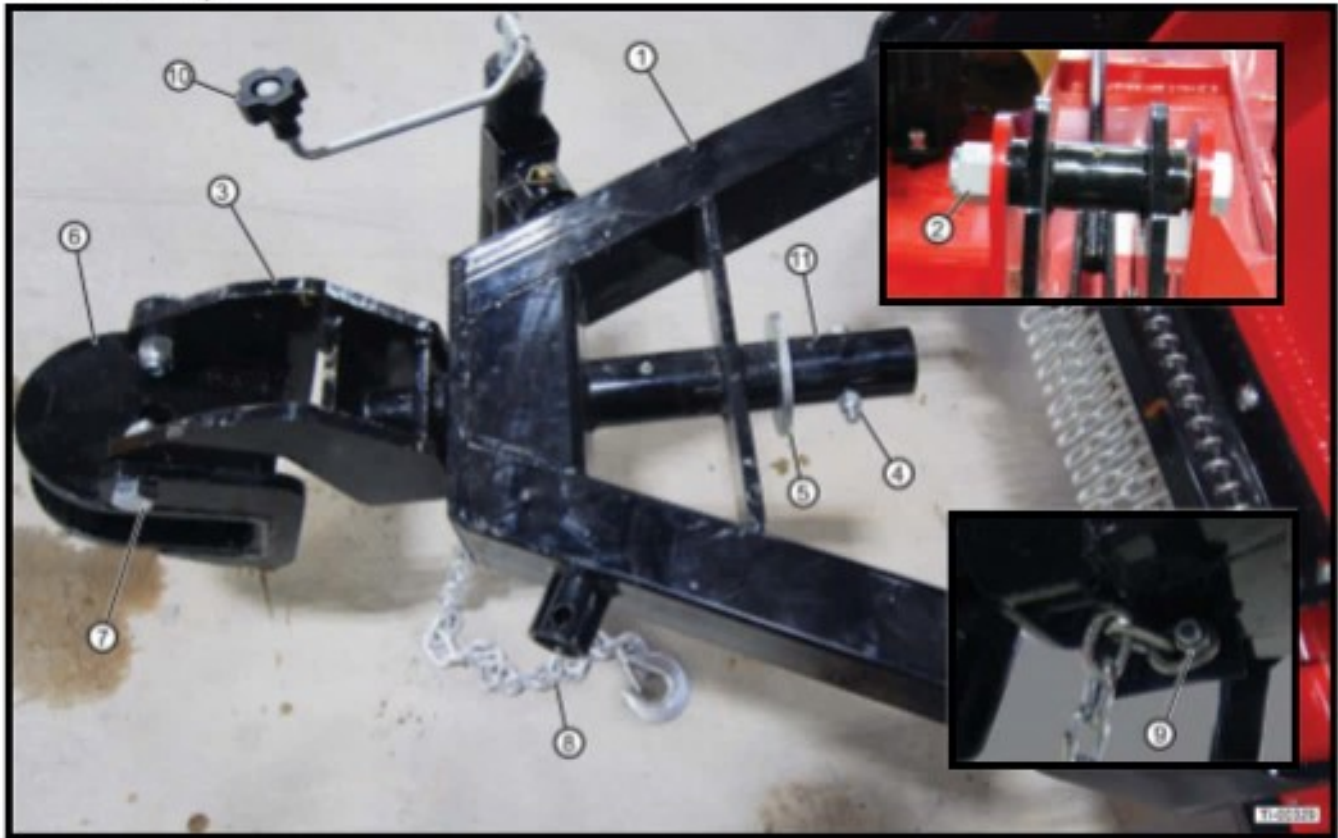
**1915 Series Rotary Cutter
PART PRICING**

410004	TOP LINK PIN	\$	5.40
450003	SWIVEL WASHER 2"	\$	1.08
450005	RATCHET JACK	\$	67.00
510008	SPLITTER G/BOX SHIELD FRAME BOLT KIT 3/8" X 1-1/4"	\$	4.00
551060	INPUT SEAL 45 X 85 X 10	\$	15.50
551061	INPUT BEARING 6209 (THRU SHAFT)	\$	16.35
551062	SNAP RING	\$	3.50
551063	OUTPUT SEAL 45 X 80 X 10	\$	9.75
551064	SNAP RING	\$	2.50
551065	SNAP RING	\$	1.50
551066	BEARING 6208	\$	19.00
551067	BEARING 6307	\$	21.75
551068	CHECK PLUG	\$	4.50
551069	BREATHER PLUG	\$	16.00
551070	SHIM KIT 70.3 X 84.7	\$	6.50
551071	SHIM KIT 69.0 X 79.9	\$	14.50
551072	SHIM KIT 65.3 X 79.7	\$	11.00
551073	SNAP RING	\$	3.50
551093	CHECK PLUG	\$	3.50
551100	INPUT SEAL 45 X 85 X 10	\$	12.00
551101	BEARING 30209	\$	28.75
551102	OIL CAP SEAL 85 X 10	\$	20.00
551103	BEARING 30210	\$	32.50
551104	OUTPUT SEAL 50 X 90 X 10	\$	17.50
551105	PROTECTIVE WASHER	\$	13.00
551106	FLATWASHER	\$	18.00
551107	CASTLE NUT M30 X 2	\$	14.50
551108	COTTER PIN B6 X 60	\$	1.50
551109	BREATHER PLUG	\$	10.25
551110	SHIM KIT 70.3 X 84.7	\$	6.50
551111	SHIM 45.3 X 65.3 X 2.5	\$	8.50
551112	SHIM KIT 50.3 X 70.3	\$	8.50
552005	SAFETY SUPPORT CHAIN	\$	7.50
552100	G/BOX YOKE 1-3/4" 20-SPLINE	\$	32.00
552101	CROSS KIT 30.2 X 92	\$	17.75
552102	CLUTCH LINING (2 PACK)	\$	14.25
552103	COMPLETE SLIPCLUTCH 1-3/4" 20-SPLINE	\$	197.00
552104	CLAMP BOLT	\$	5.75
552110	YOKE 1-3/4"	\$	32.00
552111	LOCK BOLT KIT	\$	5.75
552112	CROSS KIT 30.25 X 92	\$	17.75
552113	OUTER PLASTIC SHIELD BEARING	\$	8.75
552114	COMPLETE SAFETY SHIELD	\$	72.00
552115	INNER PLASTIC SHIELD BEARING	\$	8.75
552116	CLUTCH LINING (2 PACK)	\$	14.25
552117	COMPLETE SLIPCLUTCH 1-3/4" 20-SPLINE	\$	203.75
552118	LOCK BOLT KIT	\$	5.75

**1915 Series Rotary Cutter
PART PRICING**

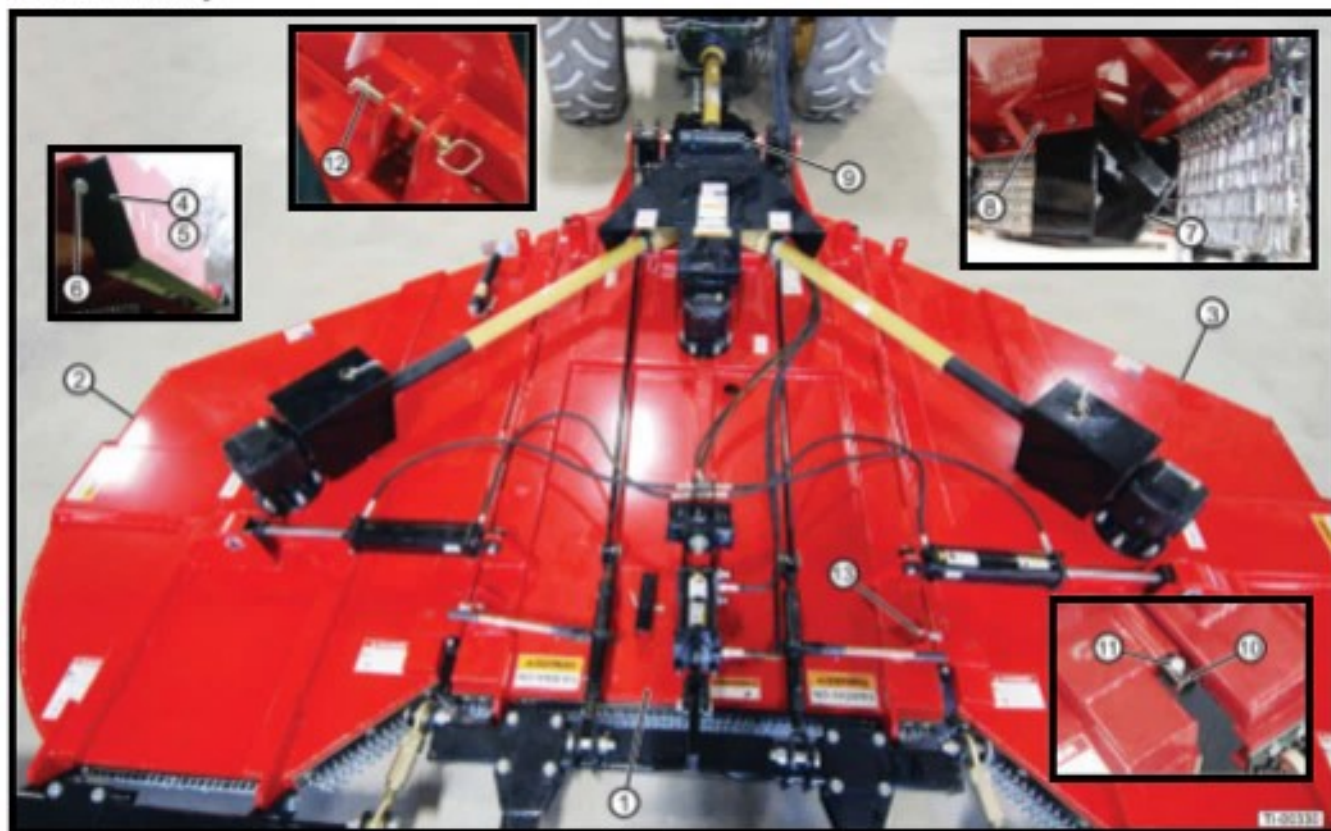
552201	PULL COLLAR KIT (540-RPM)	\$	38.25
552202	CROSS KIT 35 X 113.8	\$	149.50
552203	FIXED RING FOR CV SHIELD	\$	38.00
552204	OUTER PLASTIC SHIELD BEARING	\$	14.50
552205	INNER PLASTIC SHIELD BEARING	\$	16.00
552206	CROSS KIT 35 X 106.5	\$	105.50
552207	SAFETY SHIELD FOR CV	\$	111.50
552208	COMPLETE SAFETY SHIELD	\$	273.75
552209	SAFETY SUPPORT CHAIN	\$	10.50
552210	G/BOX YOKE 1-3/4" 20-SPLINE	\$	173.25
552211	TAPERED PIN KIT	\$	26.00
552214	PULL COLLAR KIT (1000-RPM)	\$	57.00
920006	RATCHET JACK/TIALWHEEL BOLT KIT 1" X 4-1/2"	\$	4.00
C-15	CUTTER BLADES - CENTER (SOLD IN PAIRS)	\$	77.00
CG-1915	COMPLETE CHAIN GUARD KIT	\$	1,331.00
CG-19151	FRONT CENTER DECK CHAIN GUARD	\$	86.00
CG-19152	LH or RH FRONT CENTER DECK CHAIN GUARD	\$	62.00
CG-19153	REAR CENTER DECK CHAIN GUARD	\$	192.00
CG-19154	LH or RH REAR CENTER DECK CHAIN GUARD	\$	22.00
CG-19155	LH or RH FRONT WING DECK CHAIN GUARD	\$	331.00
CG-19156	REAR WING DECK CHAIN GUARD	\$	105.00
CG-19157	REAR INSIDE WING DECK CHAIN GUARD	\$	80.00
LW-15	CUTTER BLADES - LH WING (SOLD IN PAIRS)	\$	65.00
RW-15	CUTTER BLADES - RH WING (SOLD IN PAIRS)	\$	65.00

Hitch Assembly



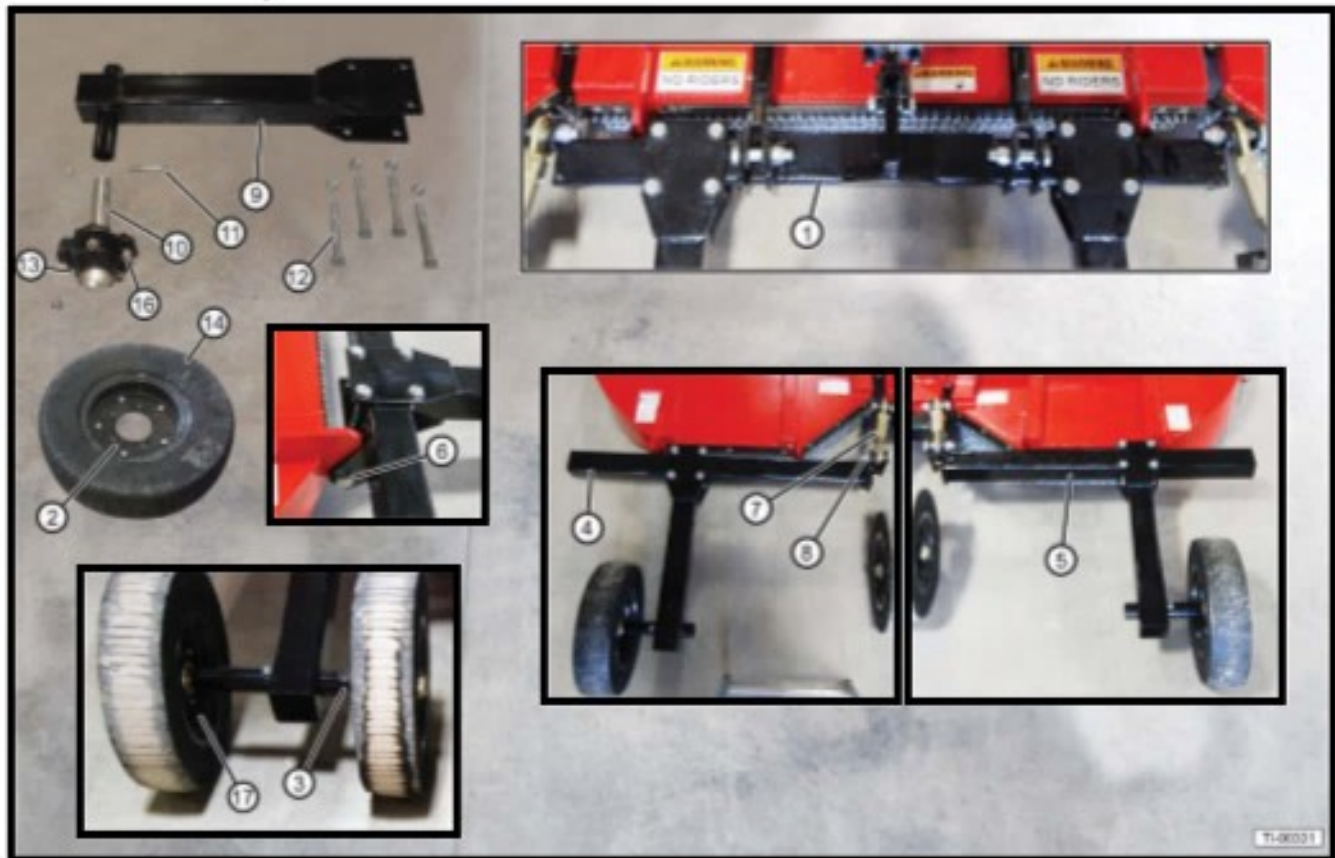
Item	Part #	Description	Qty
1	191520	Hitch Frame	1
2	191521	Bolt & Locknut Kit 1-1/4"x 8-1/2" – for Hitch to Frame	2
3	191524	Receiver Swivel	1
4	180039	Bolt * Locknut Kit 1/2"x 3-1/2" -for Receiver Swivel	1
5	450003	Swivel Washer 2"	1
6	191525	Swivel Head	1
7	150034	Bolt & Locknut Kit 3/4"x 2-1/2" – for Swivel Head	2
8	191526	Safety Chain	1
9	110070	Bolt & Locknut Kit 1/2"x 2-1/2" – for Safety Chain	1
10	191513	Jack	1
11	191522	Tongue Sleeve	1

Deck Assembly



Item	Part #	Description	Qty
1	191570	15-ft Center Deck Only with Decals - BLUE	
	191571	15-ft Center Deck Only with Decals - GREEN	
	191572	15-ft Center Deck Only with Decals - GREY	
	191573	15-ft Center Deck Only with Decals - ORANGE	1
	191574	15-ft Center Deck Only with Decals - RED	
	191575	15-ft Center Deck Only with Decals - YELLOW	
2	191576	15-ft Left Wing Deck Only with Decals - BLUE	1
	191577	15-ft Left Wing Deck Only with Decals - GREEN	
	191578	15-ft Left Wing Deck Only with Decals - GREY	
	191579	15-ft Left Wing Deck Only with Decals - ORANGE	
	191580	15-ft Left Wing Deck Only with Decals - RED	
	191581	15-ft Left Wing Deck Only with Decals - YELLOW	
3	191582	15-ft Right Wing Deck Only with Decals - BLUE	1
	191583	15-ft Right Wing Deck Only with Decals - GREEN	
	191584	15-ft Right Wing Deck Only with Decals - GREY	
	191585	15-ft Right Wing Deck Only with Decals - ORANGE	
	191586	15-ft Right Wing Deck Only with Decals - RED	
	191587	15-ft Right Wing Deck Only with Decals - YELLOW	
4	191544	Skid Shoe - Left Wing	1
5	191545	Skid Shoe - Right Wing	1
6	120011	Carriage Bolt & Locknut Kit 1/2"x 1-1/2" (6-Pack)	3
7	191535	Skid Shoe - Center	2
8	110069	Bolt & Locknut Kit 1/2"x 2"	4
9	110034	Document Holder with Screws	1
10	191536	Connector Rod 1-1/4" x 93-5/8"	2
11	110070	Bolt & Locknut Kit 1/2"x 2-1/2" - for Conn. Rod	2
12	410004	Top Link Pin	2
13	191537	Bolt & Nut Kit 3/4"x 2" - for Wing Stop Adjuster	4

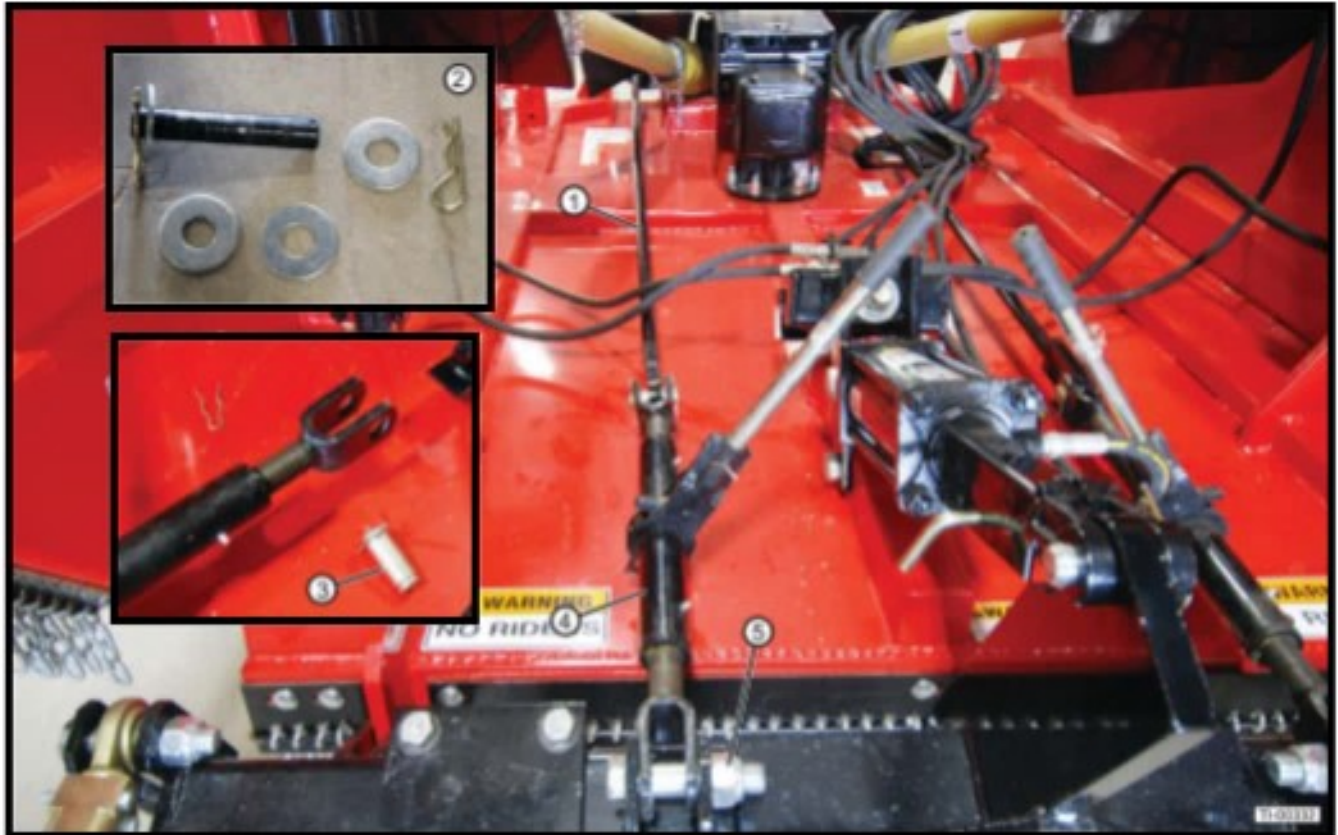
Tailwheel Assembly



Item	Part #	Description	Qty
1	191546	Center Tailwheel Tube	2
2	---	Rim – (Not Sold Separately)	---
3	191548	Center Tailwheel Dual Hub Shaft	2
4	191549	Left Tailwheel Tube	1
5	191550	Right Tailwheel Tube	1
6	180022	Bolt & Locknut Kit 1"x 3-1/2" – for T/W Tube	16
7	191551	Tailwheel Tube Adjuster	2
8	191552	Bolt & Locknut Kit 1"x 4-1/2" – for T/W Adj.	4
9	180037	Tailwheel Spindle Tube	2
10	180038	Tailwheel Spindle Assembly - Wing	2
11	180039	Bolt & Locknut Kit 1/2"x 3-1/2" – for Spindle	2
12	150047	Bolt & Locknut Kit 3/4"x 6-1/2" – for	8
13	110021	Zerk Fitting	6
14	180040	6"x 9" Laminated Wheel 20"	6
15	191553	*Aircraft Wheel & Tire – 26"	6
	300038	*Aircraft Wheel & Tire – 26" Foam Filled	6
16	110023	Bolt & Locknut Kit 5/16"x 3/4" – Wheel Bolt	30
17	191547	Center Tailwheel Hub Assembly	4

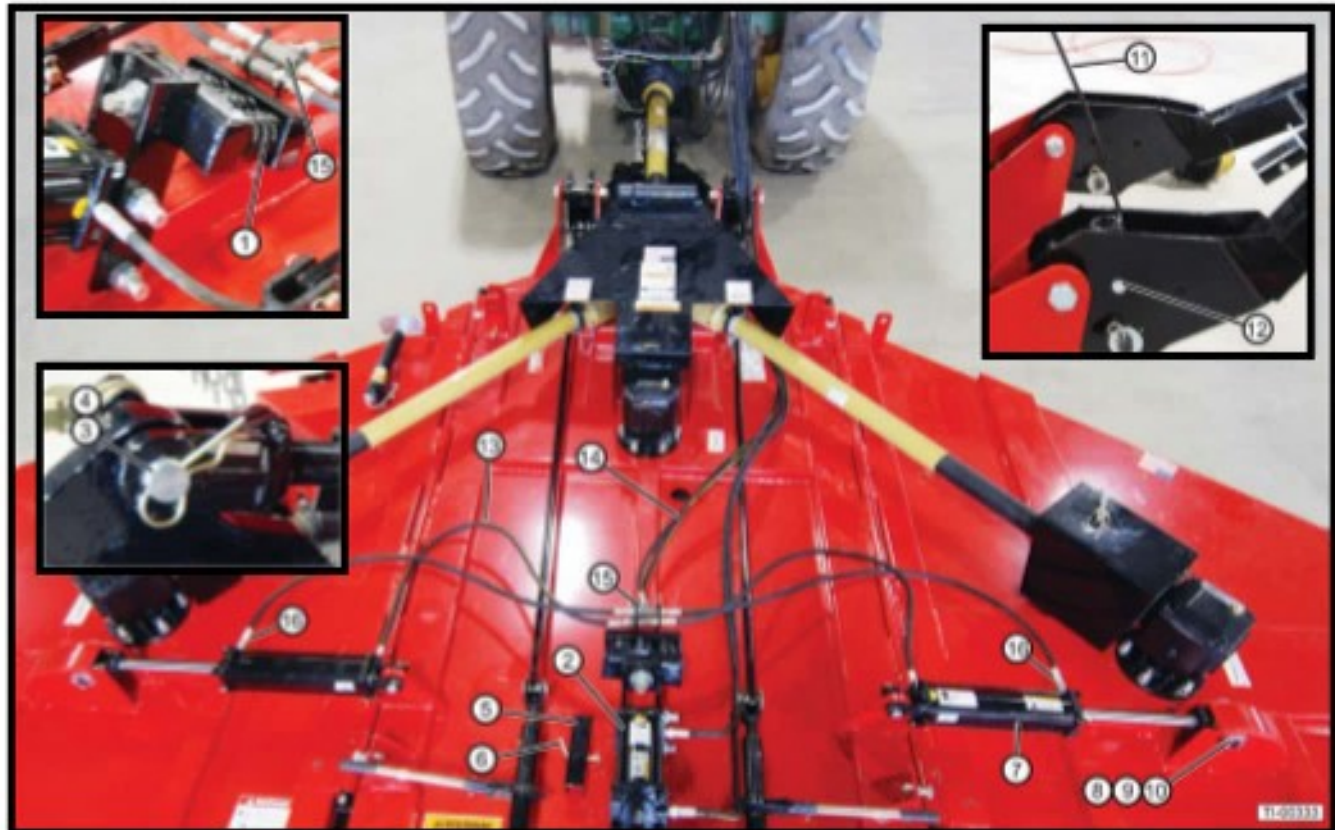
*Not Shown

Leveling Rods



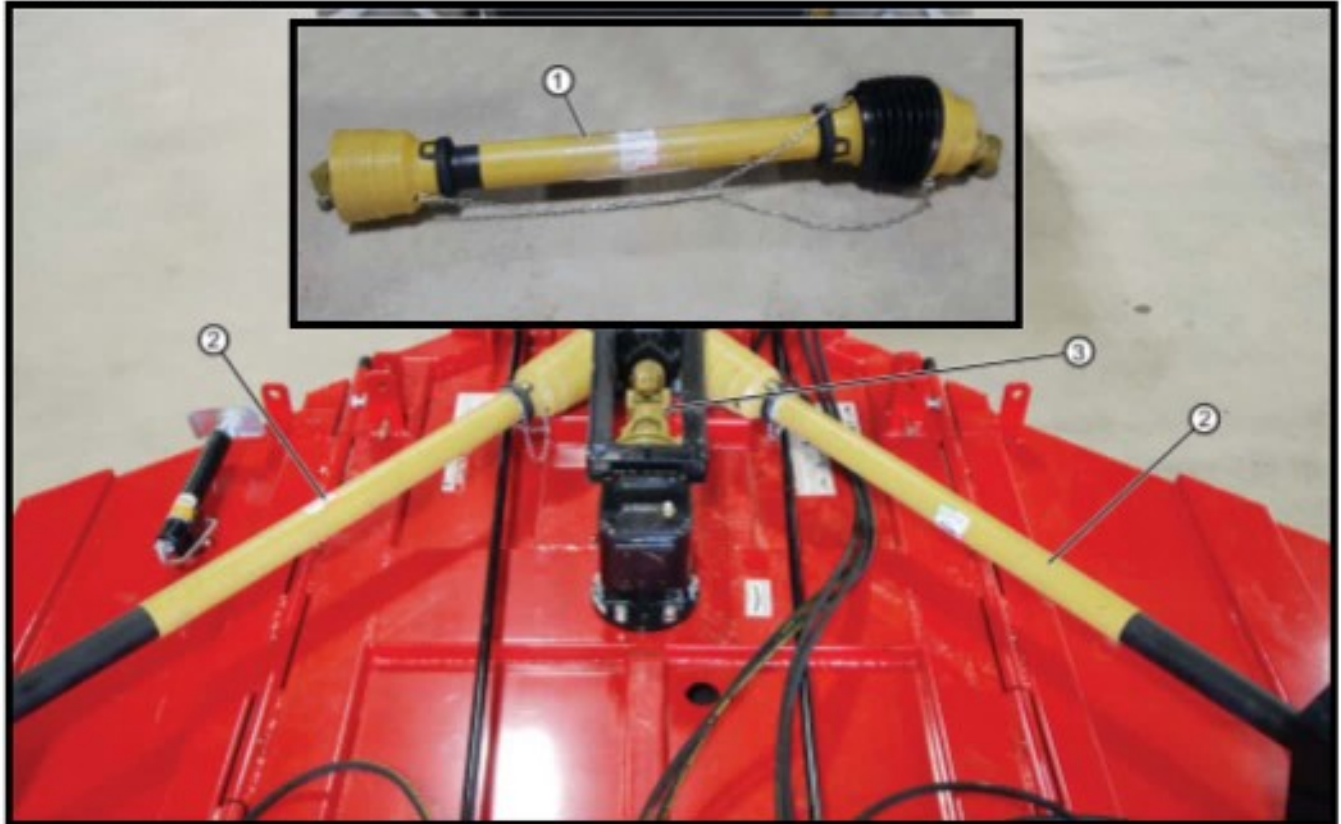
Item	Part #	Description	Qty
1	191532	Leveling Rod	2
2	191533	Pin Kit	2
3	191534	Pin with Clips – for Ratchet Jack	2
4	450005	Ratchet Jack	2
5	920006	Bolt & Locknut Kit 1"x 4-1/2"	2

Hydraulic System



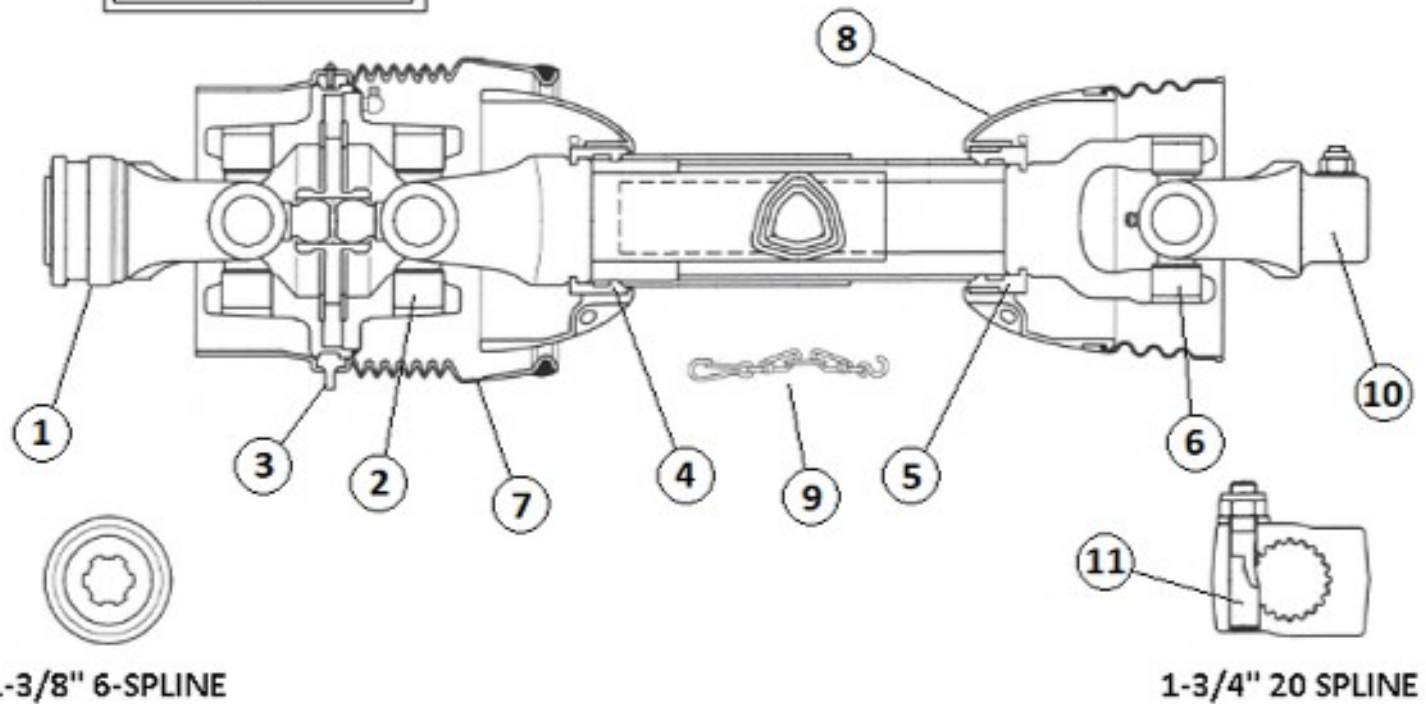
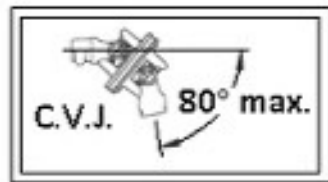
Item	Part #	Description	Qty
1	191527	Spring Assembly	1
2	191528	Hydraulic Lift Cylinder 3-1/2"x 8"	1
3	191529	Pin 3-1/2" – for Lift Cyl.	1
4	191530	Pin Clip – for Cyl. Pin	1
5	191531	Transport Lock Bracket	1
6	310034	L-Pin with Clip – for Transport Lock	1
7	191538	Hydraulic Wing Cylinder 3"x 12"	2
8	191539	Pin 1"x 5" – for Wing Cyl.	2
9	410002	Washer 1" – for Wing Cyl.	4
10	191540	Cotter Pin – for Wing Cyl. Pin	4
11	191209	Hydraulic Hose Support Spring	1
12	110015	Bolt & Locknut Kit 5/8"x 2" – for Hose Support	1
13	191236	Hydraulic Hose 60"	4
14	191237	Hydraulic Hose 168"	4
15	191238	Hyd. Tee 1/2"	2
16	191590	Flow Restrictor 1/2"	2

Driveline Assembly



Item	Part #	Description	Qty
1	191560	C.V. Driveline – 540 RPM	1
	191563	C.V. Driveline – 1000 RPM	
2	191561	Driveline – LH & RH Wing	2
3	191505	Splitter Cross Shaft	1

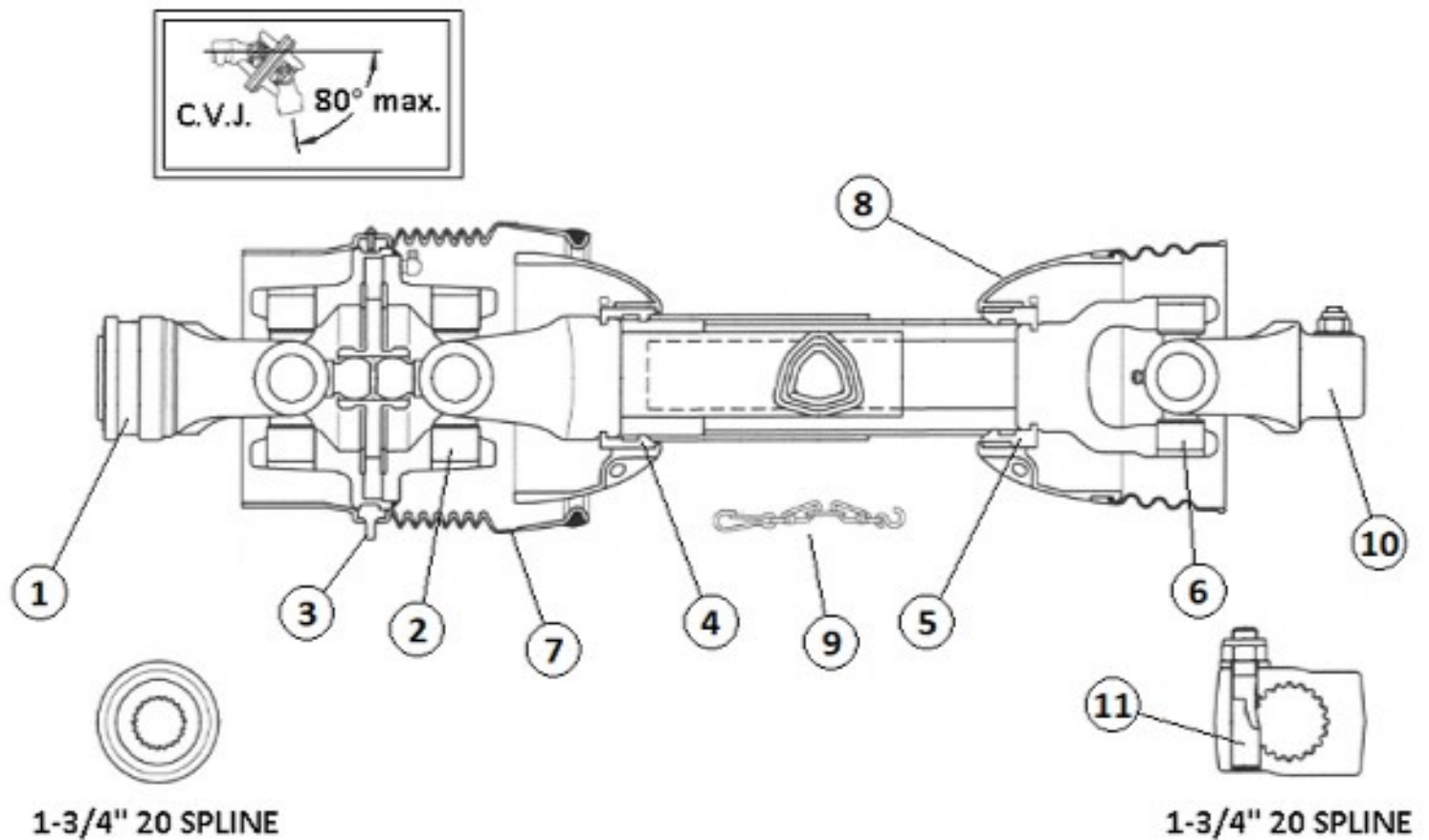
540-RPM C.V. DRIVELINE COMPONENTS



191560 - COMPLETE DRIVELINE

Item	Part #	Description	Qty
1	552201	Pull Collar Kit	1
2	552202	Cross Kit 35 x 113.8	2
3	552203	Fixed Ring for C.V. Shield	1
4	552204	Outer Plastic Shield Bearing	1
5	552205	Inner Plastic Shield Bearing	1
6	552206	Cross Kit 35 x 106.5	1
7	552207	Safety Shield for C.V.	1
8	552208	Complete Safety Shield	1
9	552209	Safety Chain	3
10	552210	Gearbox Yoke 1-3/4" 20-Spline	1
11	552211	Tapered Pin Kit	1

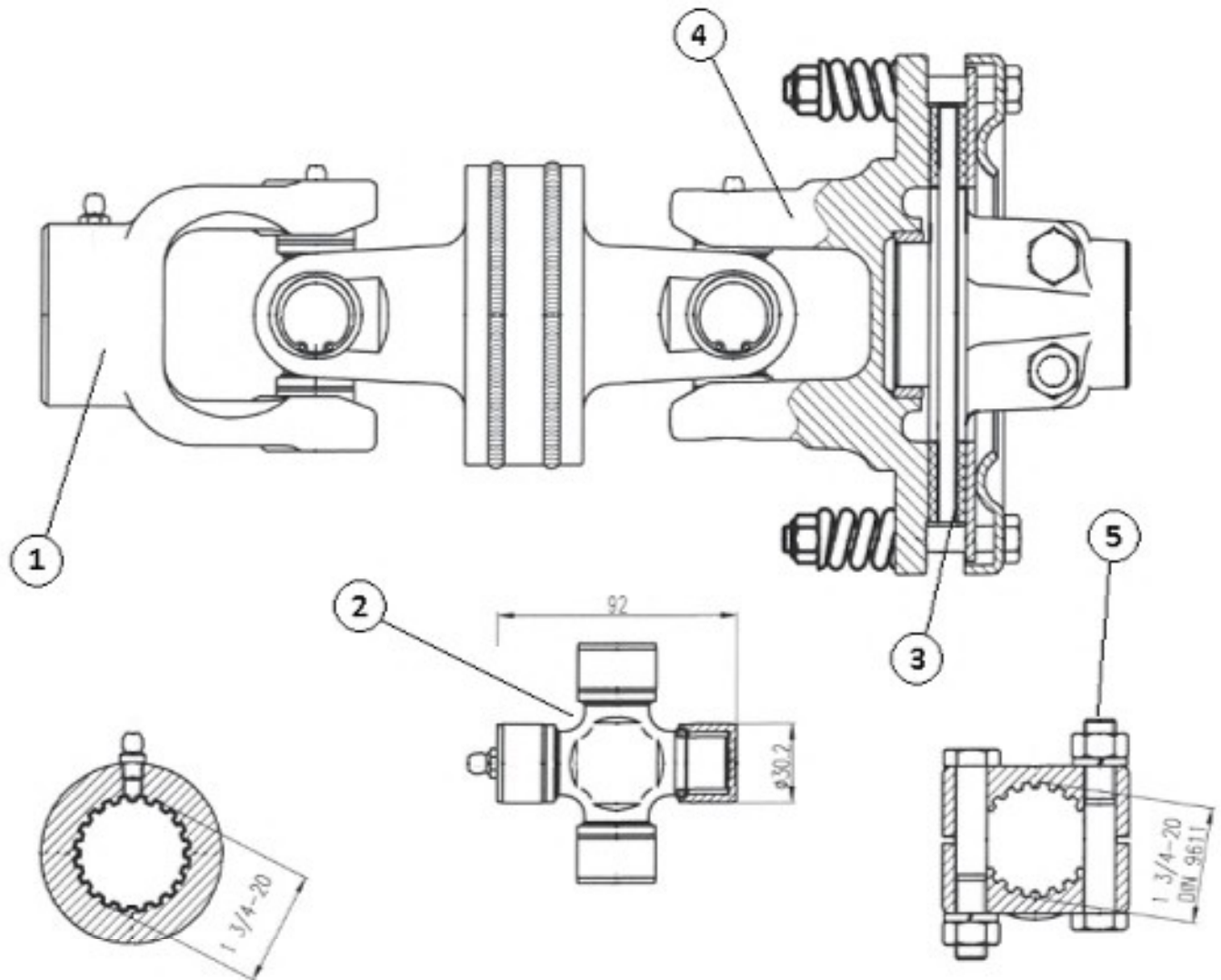
1000 - RPM C.V. DRIVELINE COMPONENTS



191563 - COMPLETE DRIVELINE

Item	Part #	Description	Qty
1	552214	Pull Collar Kit	1
2	552202	Cross Kit 35 x 113.8	2
3	552203	Fixed Ring for C.V. Shield	1
4	552204	Outer Plastic Shield Bearing	1
5	552205	Inner Plastic Shield Bearing	1
6	552206	Cross Kit 35 x 106.5	1
7	552207	Safety Shield for C.V.	1
8	552208	Complete Safety Shield	1
9	552209	Safety Chain	3
10	552210	Gearbox Yoke 1-3/4" 20-Spline	1
11	552211	Tapered Pin Kit	1

CENTER DECK DRIVELINE COMPONENTS

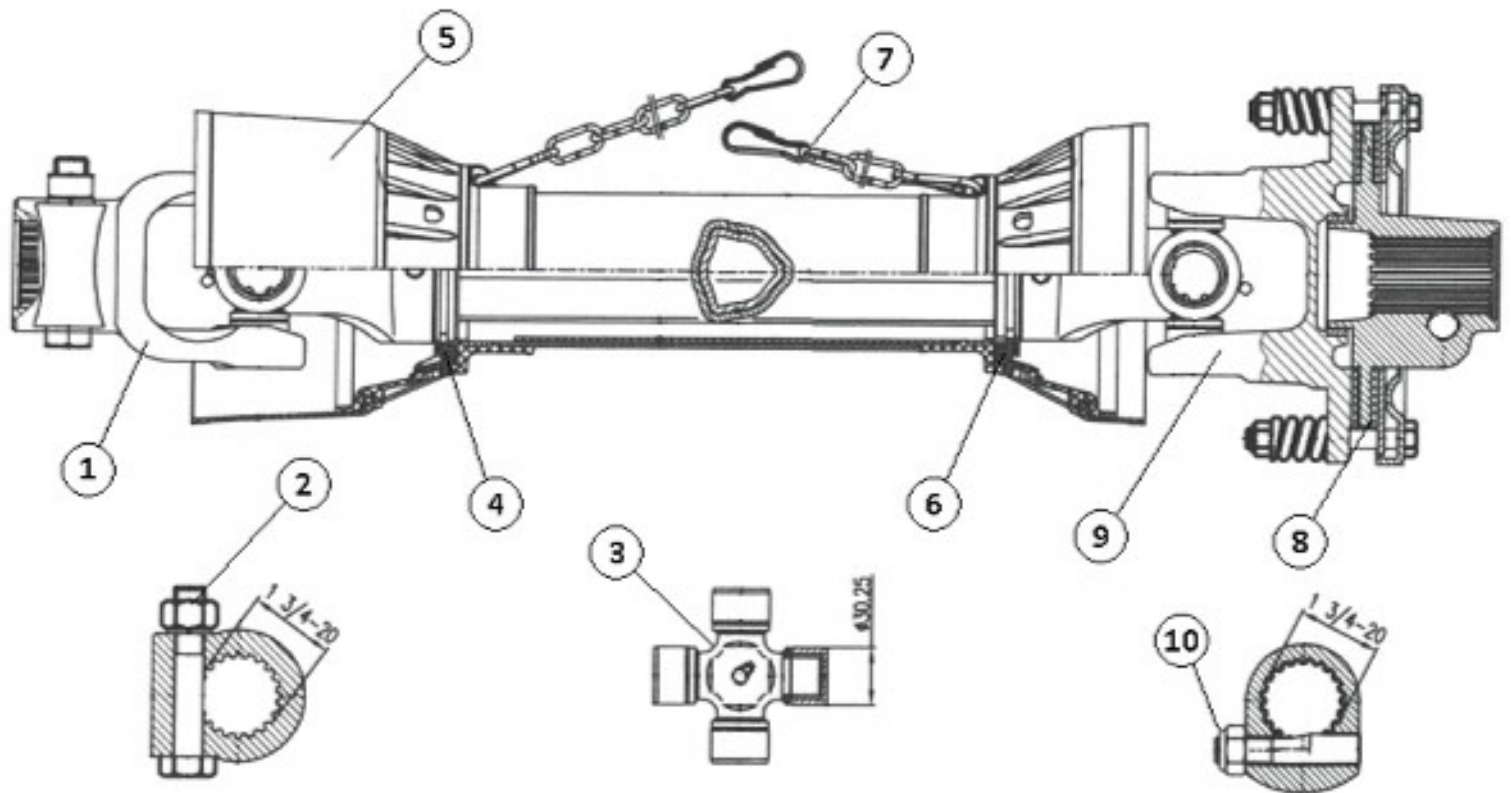


191506 - COMPLETE DRIVELINE

Item	Part #	Description	Qty
1	552100	Gearbox Yoke 1-3/4" 20-Spline	1
2	552101	Cross Kit 30.2 x 92	2
3	552102	*Clutch Lining (2-Pack) 160mm O.D. X 98mm I.D. – or – 152mm O.D. X 90mm I.D.	1
4	552103	Complete Slipclutch	1
5	552104	Clamp Bolt with Nut	1

*Please note Lining diameter when ordering replacement Linings

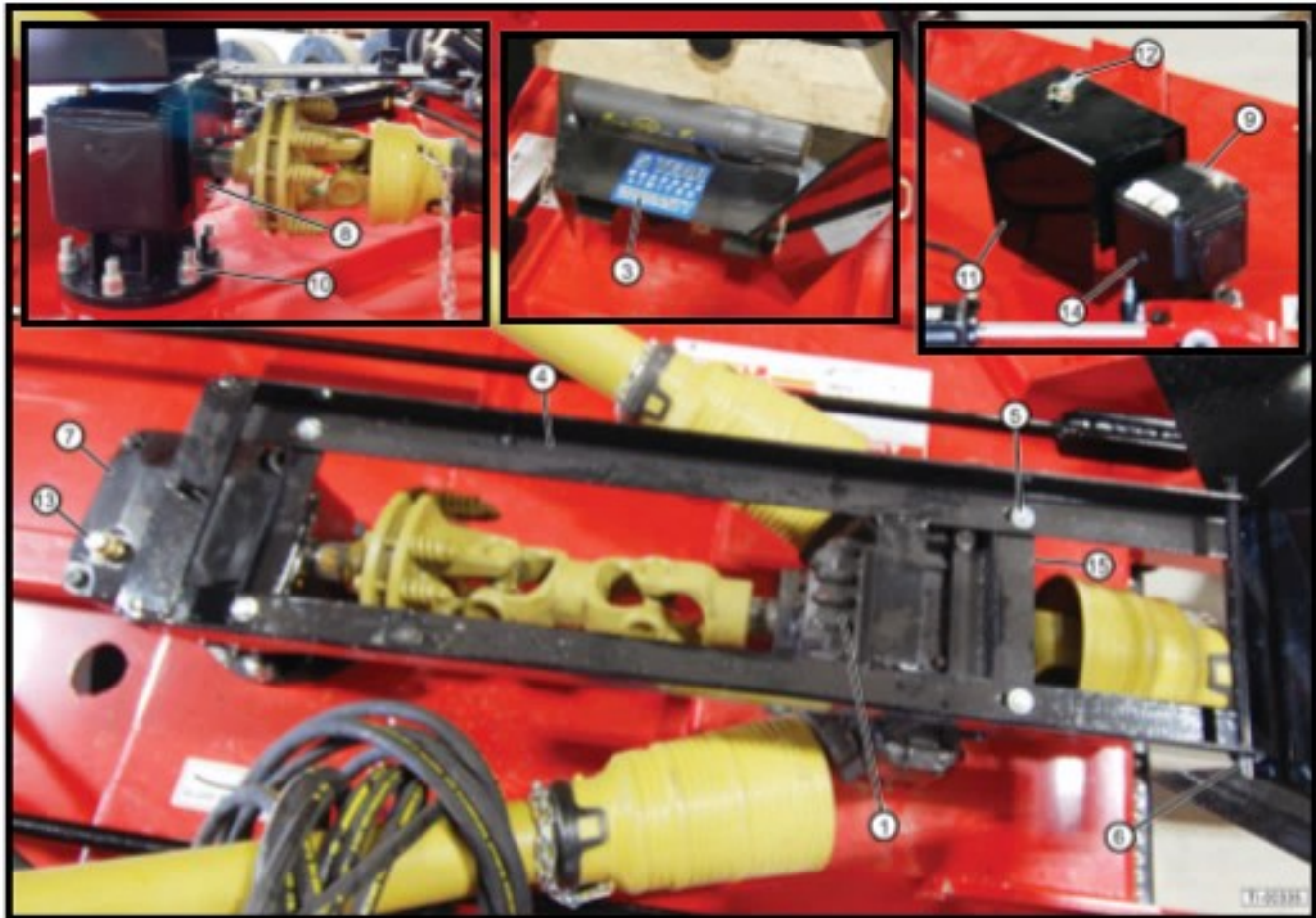
WING DRIVELINE COMPONENTS



191561 - COMPLETE DRIVELINE

Item	Part #	Description	Qty
1	552110	Yoke 1-3/4"	1
2	552111	Lock Bolt with Nut	1
3	552112	Cross Kit 30.25 x 92	2
4	552113	Outer Plastic Shield Bearing	1
5	552114	Complete Safety Shield	1
6	552115	Inner Plastic Shield Bearing	1
7	552005	Safety Chain	2
8	552116	Clutch Lining (2-Pack)	1
9	552117	Complete Slipclutch	1
10	552118	Lock Bolt with Nut	1

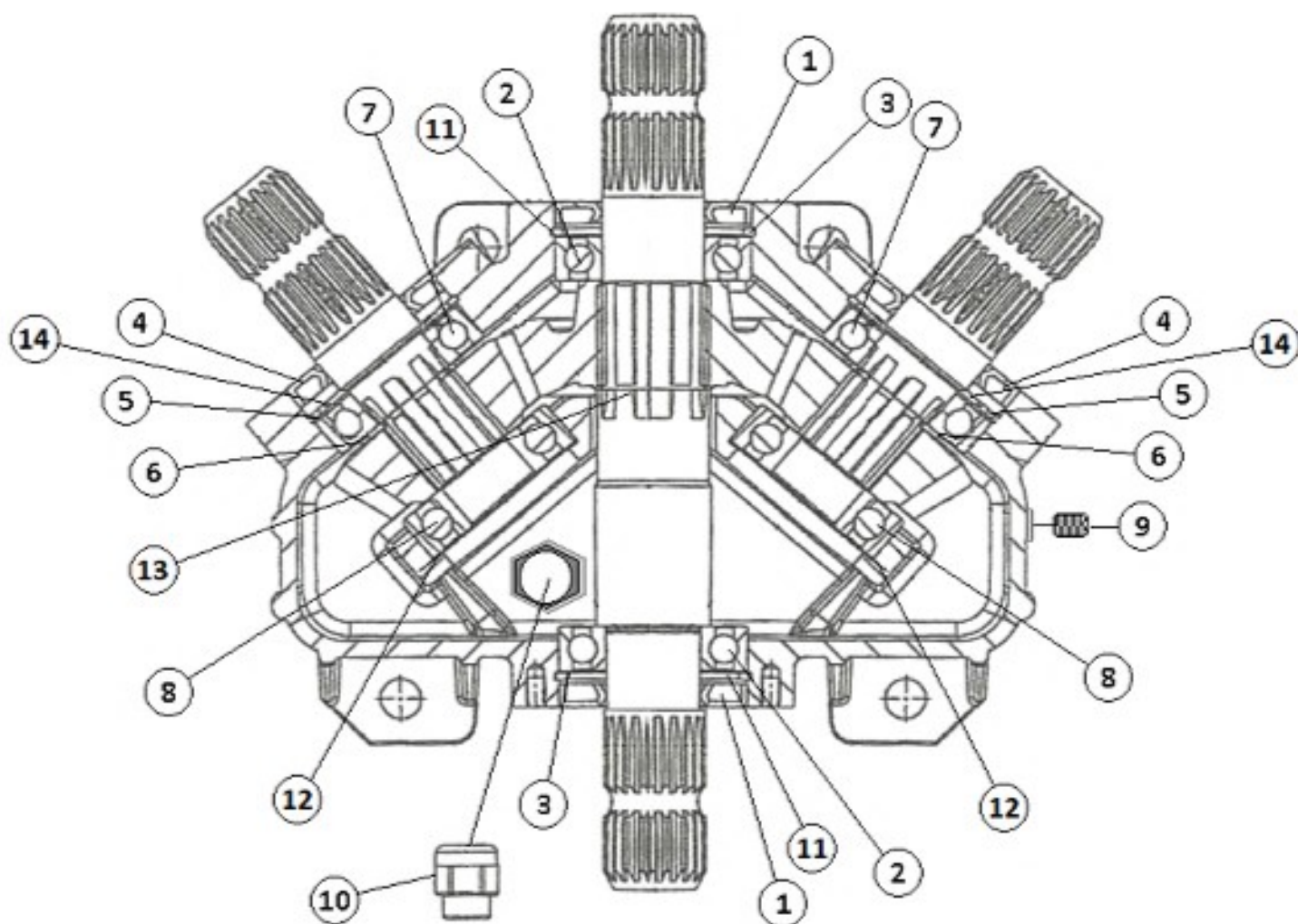
Cutter Drive System



Item	Part #	Description	Qty
1	191501	Gearbox – Splitter 540 RPM	1
	191502	Gearbox – Splitter 1000 RPM	1
2	110015	*Bolt, Lockwasher & Locknut Kit 5/8" x 2" (4-Pack)	1
3	191503	Shield – for Splitter G/Box	1
4	191504	Shield Frame – for Splitter G/Box	1
5	510008	Bolt Kit 3/8" x 1-1/4" – for Splitter G/Box Shield Frame	4
6	191505	Pivot Rod 1/2" x 13" with Pins – For Splitter G/Box Shield	1
7	191508	Gearbox – Center Outboard 540 RPM	1
	191509	Gearbox – Center Outboard 1000 RPM	1
8	191510	Gearbox – Left Outboard 540 RPM	1
9	191512	Gearbox – Right Outboard 540 RPM	1
10	191514	Bolt Lockwasher & Locknut Kit 3/4" x 3"	12
11	150076	Outboard Gearbox Shield – Plastic (Replaces Metal Shield)	2
12	310032	Lynch Pin 3/8" (for Old Style Metal Shield Only)	2
13	551109	Gearbox Vent Plug 1/2"	3
14	551093	Gearbox Drain Plug 3/8"	3
15	191511	Shield Frame Cross Member	1

*Not Shown

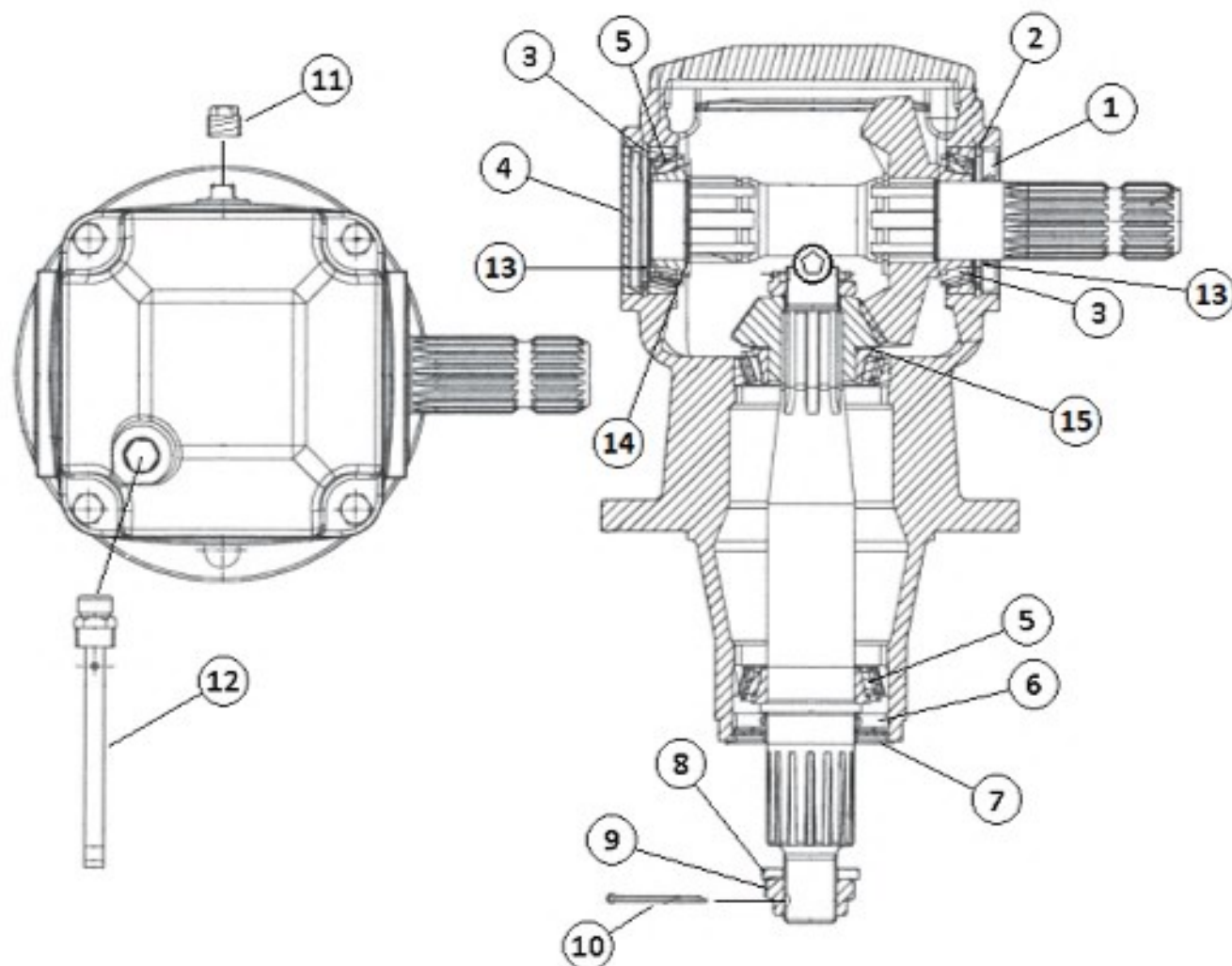
540-RPM / 1000-RPM SPLITTER GEARBOX COMPONENTS



191501 - COMPLETE GEARBOX 540-RPM
191502 - COMPLETE GEARBOX 1000-RPM

Item	Part #	Description	Qty
1	551060	Input Seal 45 x 85 x 10	2
2	551061	Input Bearing 6209 – Thru Shaft	2
3	551062	Snap Ring 85 x 88.5 x 3	2
4	551063	Output Seal 45 x 80 x 10	2
5	551064	Snap Ring 80 x 83.5 x 2.5	2
6	551065	Snap Ring 40 x 37.5 x 2.5	2
7	551066	Bearing 6208	2
8	551067	Bearing 6307	2
9	551068	Check Plug 3/8"	2
10	551069	Breather Plug 1/2"	1
11	551070	Shim Kit 70.3 x 84.7	2
12	551071	Shim Kit 69.0 x 79.9	2
13	551073	Snap Ring 47 x 45.5 x 1.5	1
14	551072	Shim Kit 65.3 x 79.7	2

OUTBOARD GEARBOX COMPONENTS



COMPLETE GEARBOX

540 - RPM

Center Deck - 191508

RH Wing - 191512

LH Wing - 191510

1000 - RPM

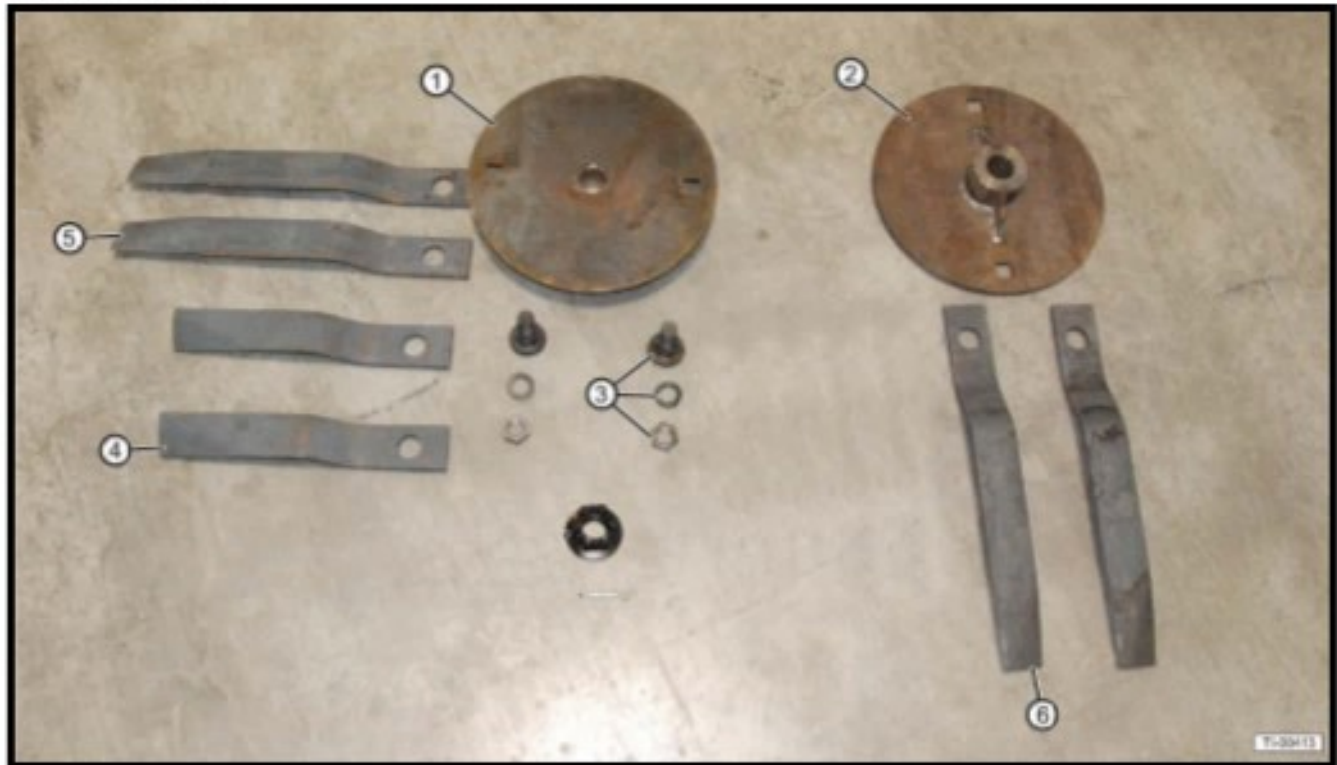
Center Deck - 191509

RH Wing - 191512

LH Wing - 191510

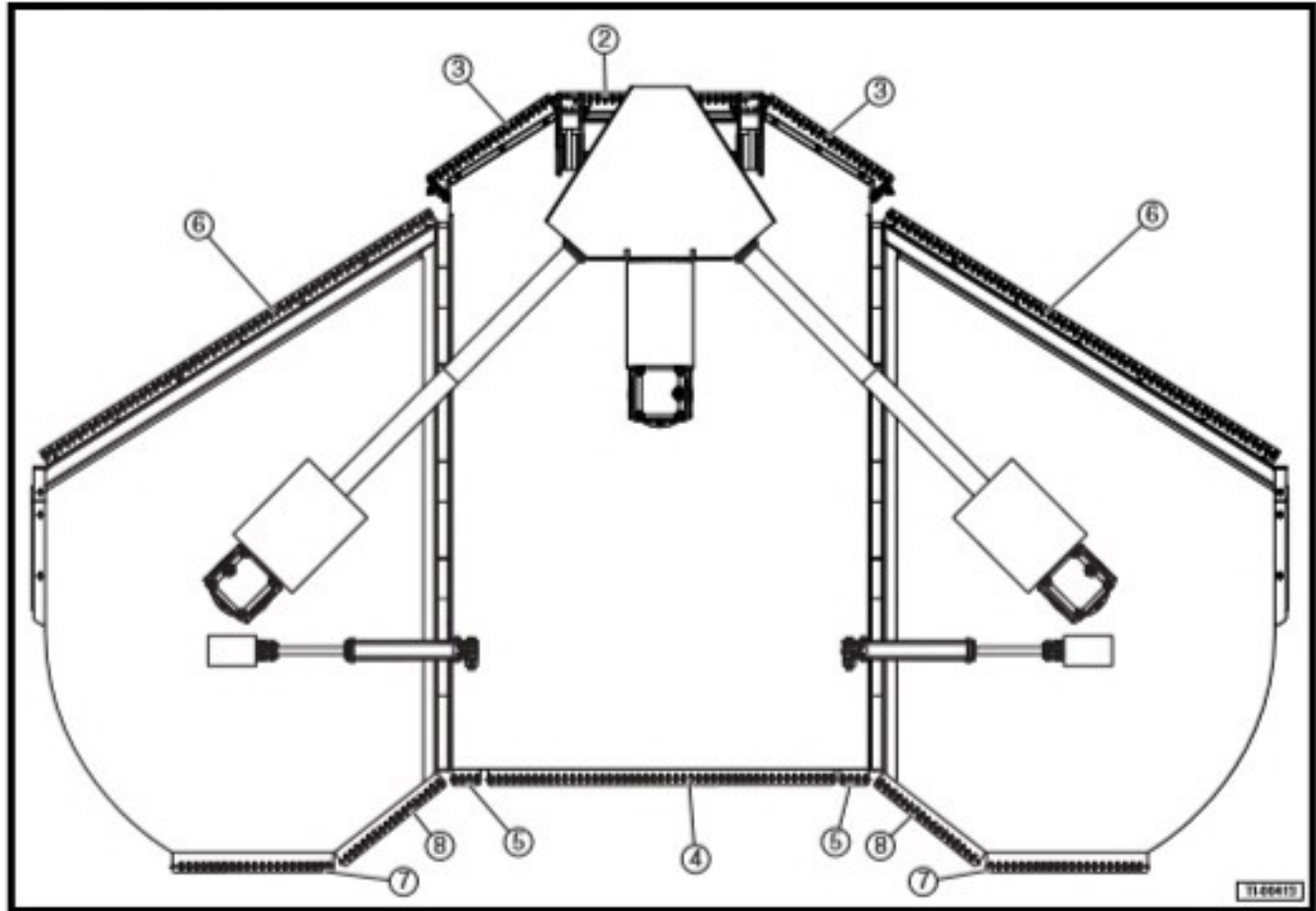
Item	Part #	Description	Qty
1	551100	Input Seal 45 x 85 10	1
2	551062	Snap Ring 85 x 88.5 x 3	2
3	551101	Bearing 30209	2
4	551102	Oil Cap 85 x 10	1
5	551103	Bearing 30210	2
6	551104	Output Seal 50 x 90 x 10	1
7	551105	Protective Washer	1
8	551106	Flatwasher 31 x 56 x 6	1
9	551107	Castle Nut M30 x 2	1
10	551108	Cotter Pin M6 x 60	1
11	551093	Check Plug 3/8"	1
12	551109	Breather Plug 1/2"	1
13	551110	Shim Kit 70.3 x 84.7	2
14	551111	Shim 45.3 x 65.3 x 2.5	1
15	551112	Shim Kit 50.3 x 70.3	1

Blade Assembly



Item	Part #	Description	Qty
1	191517	Blade Carrier – Center 3/4" x 29" (Flat Type)	1
2	191518	Blade Carrier – Wing 3/4" x 23" (Flat Type)	2
3	110012	Blade Bolt, Lockwasher & Nut Kit (2-Pack)	3
4	C-15	Cutter Blades – Center (Sold in Pairs)	1
5	LW-15	Cutter Blades – LH Wing (Sold in Pairs)	1
6	RW-15	Cutter Blades – RH Wing (Sold in Pairs)	1

Chain Shields



Item	Part #	Description	Qty
---	CG-1915	Complete Chain Shield Kit (Includes Items 2,3,4,5,6,7,8,9)	1
2	CG-19151	Chain Shield – Front Center Deck	1
3	CG-19152	Chain Shield – LH & RH Front Center Deck	2
4	CG-19153	Chain Shield – Rear Center Deck	1
5	CG-19154	Chain Shield – LH & RH Rear Center Deck	2
6	CG-19155	Chain Shield – LH & RH Front Wing Deck	2
7	CG-19156	Chain Shield – Rear Wing Deck	2
8	CG-19157	Chain Shield – LH & RH Inside Rear Wing Deck	2
9	191253	*Bolt & Nut Kit – for Shields (10-Pack)	A/R

A/R = As Required